

8ch in one unit!
The superior performance
of this flagship model is
the propelling power to the
highest presence.



4k uncompressed RGB disk recorder

UDR-20S

Features

- Uncompressed recording and Play back - High quality image editing
- 4096 x 2160 (4:4:4) - Real time recording and play back
- Multiple video formats - Managing multiple video format files
- Front control panel - VTR like operation
- Hot swap - The disk pack can be replaced without power off

Video / Audio specifications

Video input / output	
Input / output	HD-SDI 8ch, BNC × 8
Through output	
Audio input / output	
Embedded	12ch, HD-SDI
Input / output	AES / EBU 8ch, BNC × 4
GPI	
Input / output	Dsub 25pin
External disk expansion	
Port	Fibre channel x 4, SFP × 4 (Optional)

Video / Audio format

Video format	
HD-SDI Single-Link	SMPTTE292M 60i, 59.94i, 50i, 30p, 29.97p, 25p, 24p, 23.98p, 30psf, 29.97psf, 25psf, 24psf, 23.98psf
HD-SDI Dual-Link	SMPTTE327M 60p, 59.94p, 50p
2k Digital Cinema	2048 × 1080 / 24p, 10bit, 4:2:2 2048 × 1080 / 24p, 10bit, 4:4:4
4k Digital Cinema	4096 × 2160 / 24p, 10bit, 4:2:2 4096 × 2160 / 24p, 10bit, 4:4:4
Recording data format (The format may vary according to video format)	
Uncompressed	4:2:2 / 8bit, 4:2:2 / 10bit, 4:2:2 / 12bit 4:4:4 / 8bit, 4:4:4 / 10bit, 4:4:4 / 12bit, 4:4:4 / 10bit
Digital audio	
Sampling frequency	48kHz (asynchronous to video) AES3 format 16 / 20 / 24bit

General

Body color	Black
Dimensions	430(W) x 176(H) x 670(D) mm
Weight (Body)	17kg
Weight (Disk Pack)	10kg (2.5kg × 4)
Power consumption	690W (max)
AC input	100V ~ 240V
Operating temperature and humidity	5 ~ 40°C / 24 ~ 80% RH

Options

- Host I/F
- External High Capacity Disk

Data transport system

The uncompressed 4k Digital Cinema image sized in 33MB in DPX file. The UDR-DataLoader4k is developed as to transfer such a large data at high speed.

The Disk Pack structure which is unique to UDR is utilized to maximize the speed with provided host PC as the controller.

The UDR-RAW data can be transferred at fastest speed but also adapted to various other data formats.



Uncompressed data transport system

UDR-DataLoader4K

Hardware : Pack Station "UDR-SS-PS2" × 2, Host I/F included

Software : Dedicated GUI "UDR-Direct4K" × 1

Support file option : DPX, TIFF, QuickTime, Cineon, AVI

UDR 20S 4K UNCOMPRESSED RGB DISK RECORDER

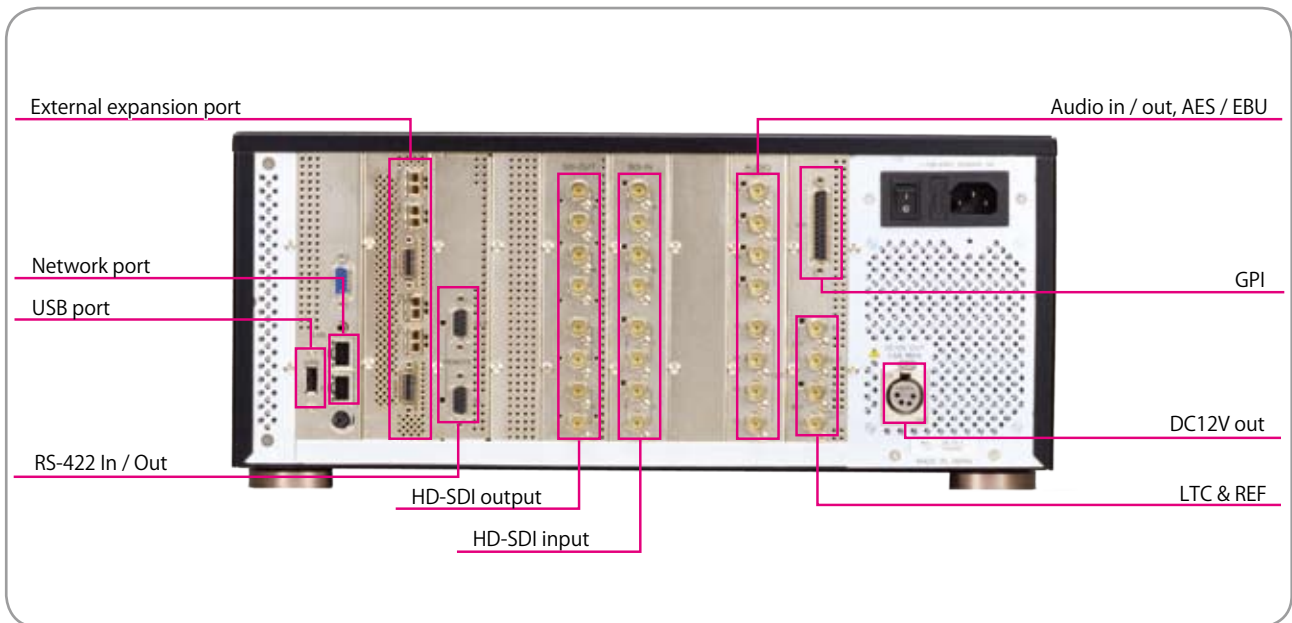
Front view

The same front panel design is commonly used in the UDR series. Intuitive operation like VTR made UDR simple to use by anyone



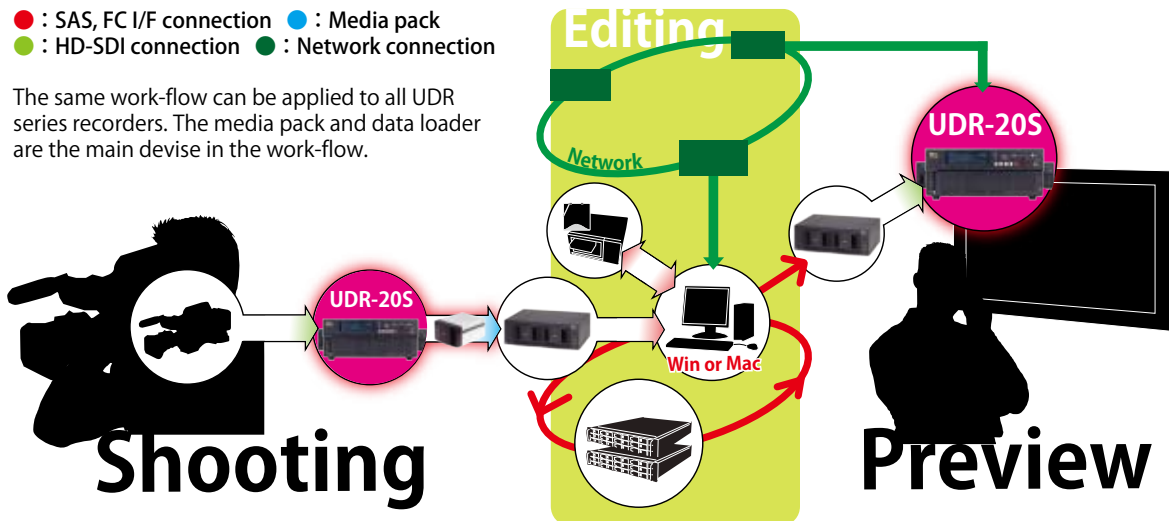
Back view

All connectors are located on the rear panel. The BNC connectors are used eight(8) HD-SDI channels and AES/EBU digital audio. There are RS-422 In/Out, LTC, REF signal for synchronization equipped. In addition, expansion port to external HDD, control and data communication network port are equipped.



- : SAS, FC I/F connection
- : Media pack
- : HD-SDI connection
- : Network connection

The same work-flow can be applied to all UDR series recorders. The media pack and data loader are the main device in the work-flow.



* Specifications are subject to change without notice. * All trademarks are property of their respective owners.

KEISOKU GIKEN Co., Ltd.

2-12-2, Chigasaki-minami, Tsuzuki-ku, Yokohama 224-0037 Jaon

TEL : +81-45-948-0211 / FAX : +81-45-948-0221

E-mail : VWsales@hq.keisoku.co.jp

URL : <http://www.keisoku.co.jp/>

